

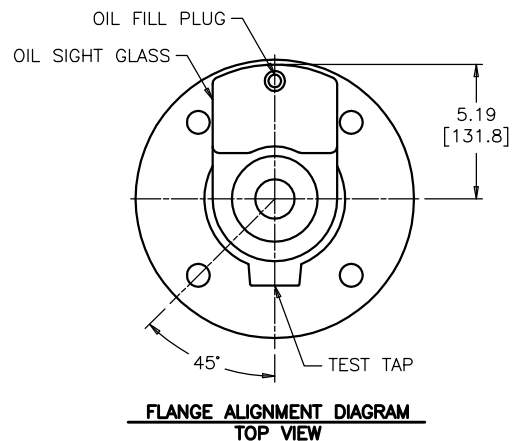
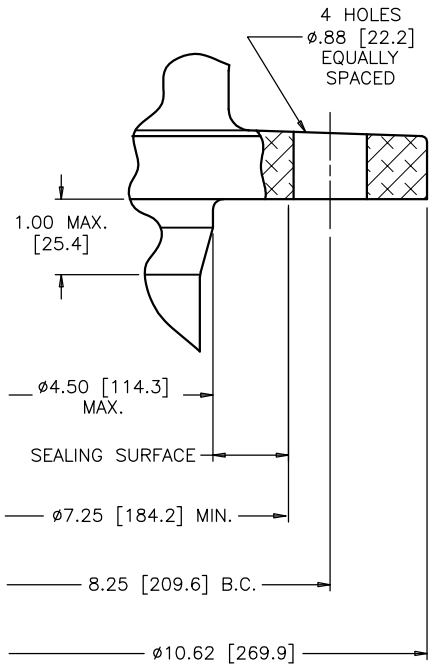
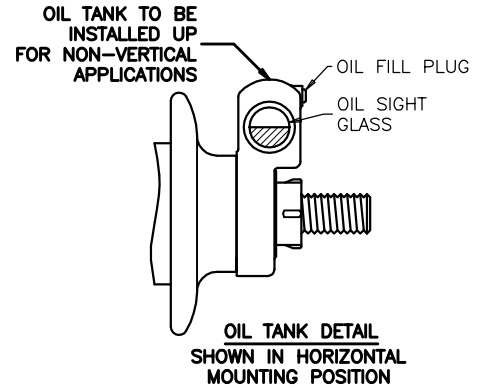
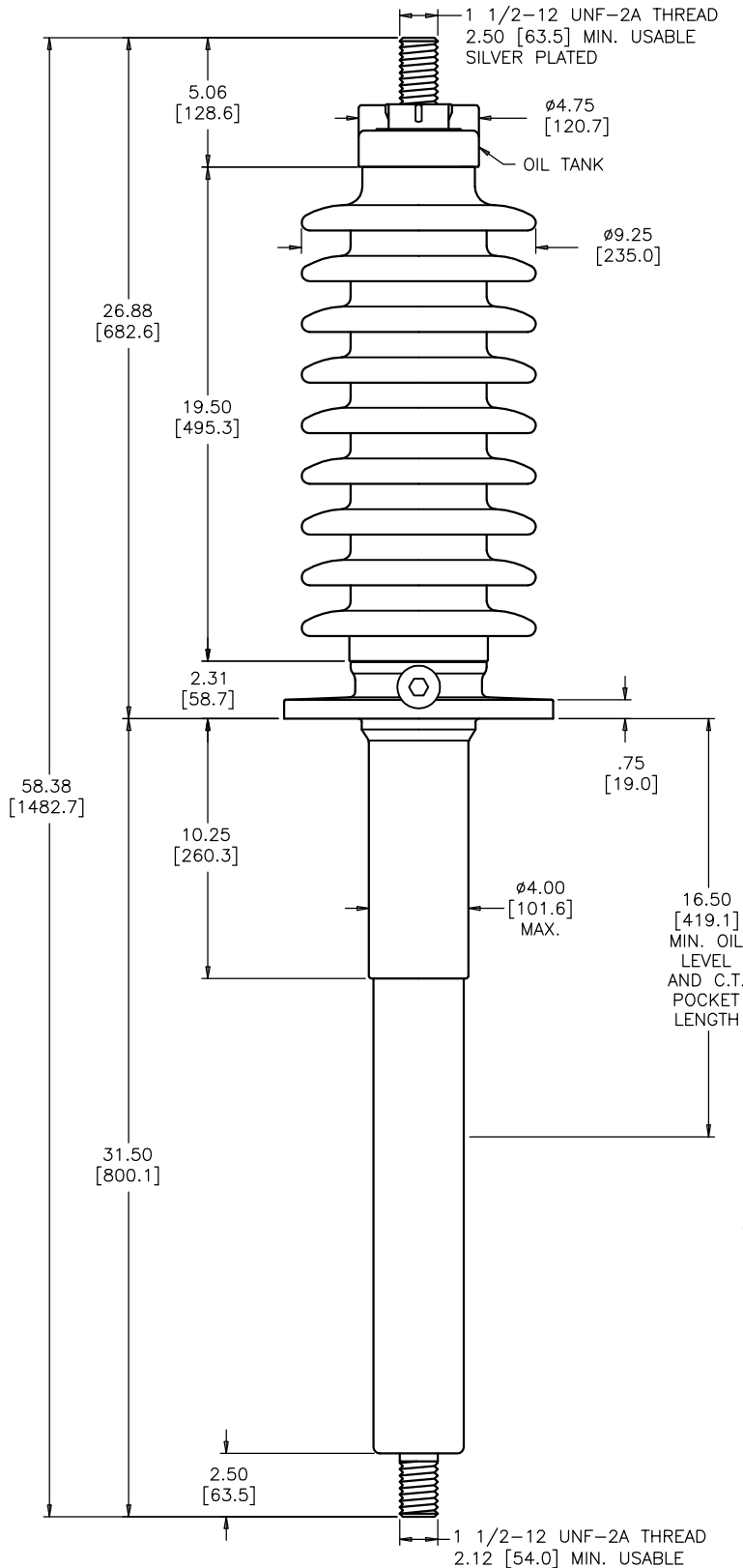


**PCORE**  
ELECTRIC

<b>KV CLASS</b> 46 kV	<b>BIL</b> 250 kV	<b>Uy</b> 29 kV
<b>CURRENT RATING</b>		
1200 AMP BOTTOM CONNECTION		
<b>MIN. CREEP</b> 49.00 [1244.6]	<b>MIN. STRIKE</b> 20.00 [508.0]	
<b>CREEP/uy</b> 1.69 [42.9]	<b>STD.</b> IEEE C57.19.00/01	
PCB CONTENT OF OIL IS LESS THAN 1 ppm		

DWG.	CATALOG NUMBER	GLAZE COLOR
SD	B-89411-40	BROWN
SD	B-89411-40-70	LT. GRAY
<b>TITLE</b>		
PRC BUSHING ASSEMBLY		
HORIZONTAL/VERTICAL MOUNTING		

<b>DATE</b> 10-18-04	<b>REV. DATE</b> 12-27-13
<b>MAXIMUM ALTITUDE</b> 10000 ft [3000 m]	
<b>NET WEIGHT</b> 106 lb [48 kg]	
<b>ANGLE OF INCLINATION FROM THE VERTICAL</b> 0° TO 90°	



DIMENSIONS IN INCHES [MILLIMETERS]

REVISION UPDATED FORMAT & OIL TANK DETAIL WAS SHOWN IN VERTICAL POSITION

SCALE 1/5

NOTE TO PURCHASER:  
ALL SALES OF PCORE PRODUCTS ARE SUBJECT TO OUR STANDARD TERMS AND CONDITIONS AND THE LIMITED WARRANTIES THEREUNDER